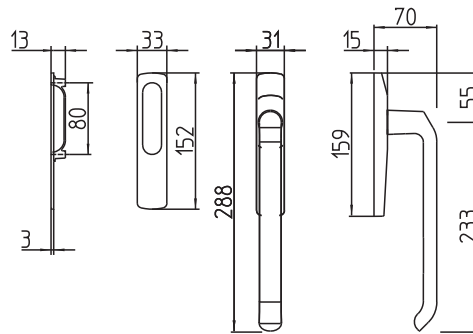


AGB IMAGO

Lift & Slide Handle



BJ Waller Part No.	Description
29.760001	Polished Brass Internal L&S Handle With Euro Cut Out & Ext Flush Pull
29.760001.COV	Polished Brass Cover Plate Only for L&S Handle, With No Cylinder Cut Out
29.760003	Polished Chrome Internal L&S Handle With Euro Cut Out & Ext Flush Pull
29.760003.COV	Polished Chrome Cover Plate Only for L&S Handle, With No Cylinder Cut Out
29.760013	Satin Chrome Internal L&S Handle With Euro Cut Out & Ext Flush Pull
29.760013.COV	Satin Chrome Cover Plate Only for L&S Handle, With No Cylinder Cut Out
29.760017	Bronze Internal L&S Handle With Euro Cut Out & Ext Flush Pull
29.760017.COV	Bronze Cover Plate Only for L&S Handle, With No Cylinder Cut Out



Product Details

The Lift & Slide Handle is a contemporary design and is available in a range of finishes. It is supplied as standard with the euro cylinder cut out on the inside.

A cover plate can be supplied as an extra if required.

Handle Dimensions: Overall Length - 288mm, Width - 31mm, Handle, Back Plate - 159mm

Cover Plate Dimensions: Overall Length - 152, Width - 33mm